



# AP MOTRONIX PRIVATE LIMITED

3-18-3, Pragathi Nagar, Ramanthapur, Hyderabad – 500013. A.P.

Off.: 27038560/1929

Fax: +91-40-27038129

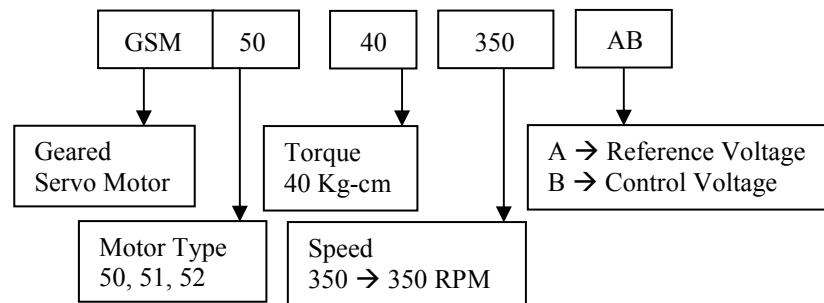
E-mail: [apmotronix@gmail.com](mailto:apmotronix@gmail.com)

Website: [www.apmotronix.com](http://www.apmotronix.com)

## AC GEARED INDUCTION MOTOR (APM-GSM 50 SERIES)

Type GSM 50 Series AC Geared Induction Motors are permanent split capacitor induction motors. No brushes or starting switches are employed. These are continuous duty operable motors, available in both single & three phases. Optionally cooling fan can be provided along with electro-magnetic brake for instant start and stop.

### SERIES CODE:



### SPECIAL FEATURES:

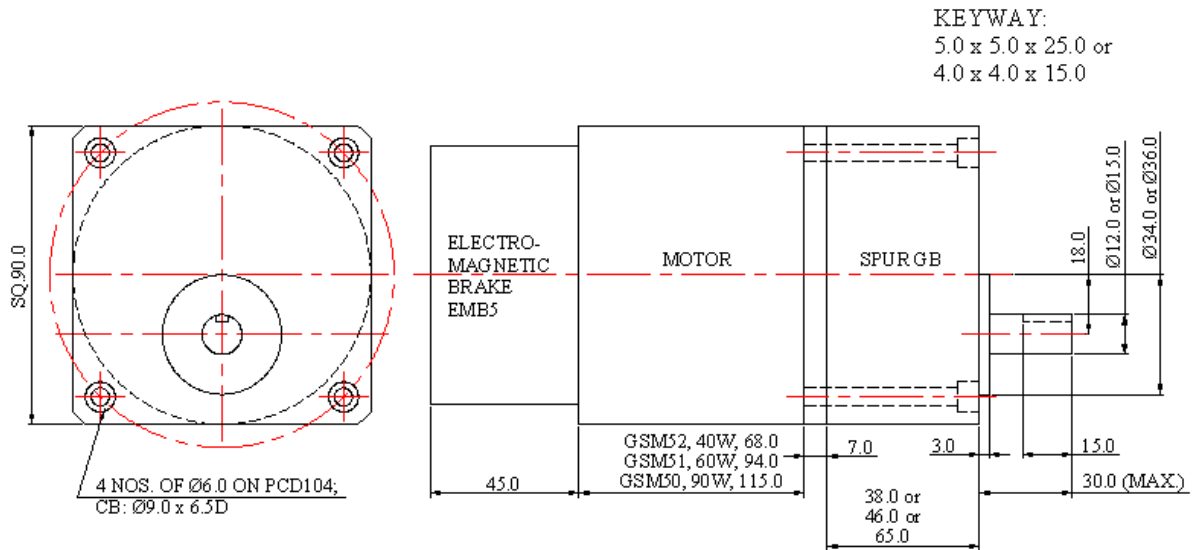
- Compact size
- High Efficiency
- Low output speeds
- Quick reversibility
- High starting torque
- Electro-magnetic Brake option
- Easy speed control (please confirm the speeds)

**SPECIFICATIONS:**

Motor Type	Ratio	3	3.6	5	6	7.5	9	12.5	15	18	25	30	36	50	60	75	90	100	120	150	180
	RPM	500	416	300	250	200	166	120	100	83	60	50	41	30	25	20	16	15	12.5	10	8.3
GSM 50		18	21	30	35	44	53	67	80	96	120	145	171	200	200	200	200	200	200	200	200
GSM 51		12	14	20	24	30	36	45	54	64	81	97	116	162	194	200	200	200	200	200	200
GSM 52		7	8	12	15	18	22	30	36	44	55	66	79	99	118	145	177	195	200	200	200

Note: For other gear ratios, please call.

**MECHANICAL SPECIFICATIONS:**



**ORDERING DATA:** Clearly indicate in your purchase order the following:

- Model No.** : GSM50/51/52
- Operating Voltages** : Voltage in AC & Phase
- Torque** : In Kg-cm
- Speed** : In RPM
- No. of Leads** : 3 or 4 Leads